



- UFT (Ultra Fine Touch) Technology
- myViewBoard™ digital whiteboard software
- ViewBoard® Cast 4-way split screen content sharing software
- SmartPort™ shared front USB ports for internal & external PCs
- 2.1 Stereo sound with built-in subwoofer

The ViewBoard® IFP50-2 series embraces UFT (Ultra Fine Touch) Technology to offer more precise writing and faster processing time than traditional IR panels. Smooth, dual-pen writing with our new, slim 3mm pens enables groups of teachers and students to work efficiently on any detailed tasks that require the use of accurate, fine-tipped pens. The ViewBoard® IFP50-2 series is designed with a slim bezel to broaden your viewing experience so that even at the edge of the panel you can write clearly and confidently. Integrated myViewBoard™ digital whiteboard software allows users to collaborate on the go, while ViewBoard® Cast provides 4-way, split-screen content sharing.

UFT Technology

Ultra Fine Touch Technology produces a lag-free, pen-on-paper writing experience. Writing accuracy is greatly improved and student-teacher interaction flows more naturally thanks to real-time response rates, dual-pen recognition and our new 3mm tipped pens.



3mm
diameter pen

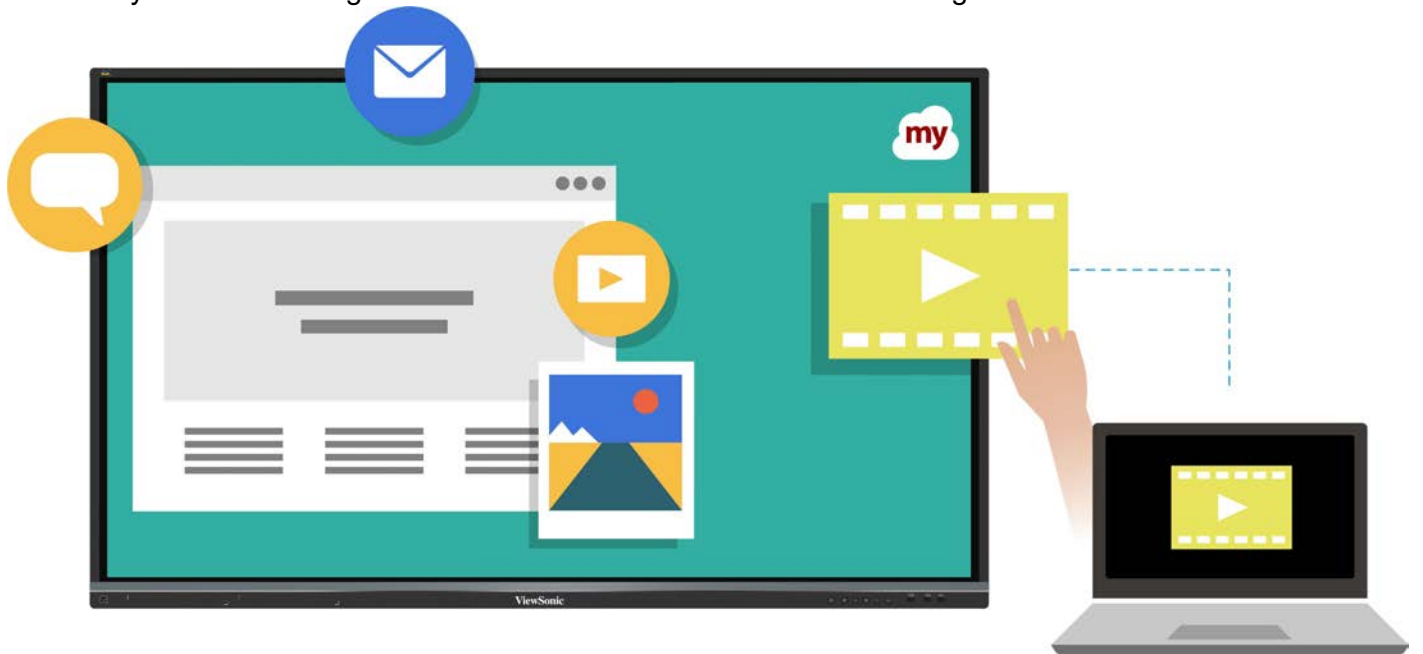
Dual-Pen

Automatically detect pen diameter (8mm & 3mm) and write simultaneously with different colours and thicknesses.



Full Native Performance on embedded OS

Built-in myViewBoard™ digital whiteboard software to collaborate on the go.



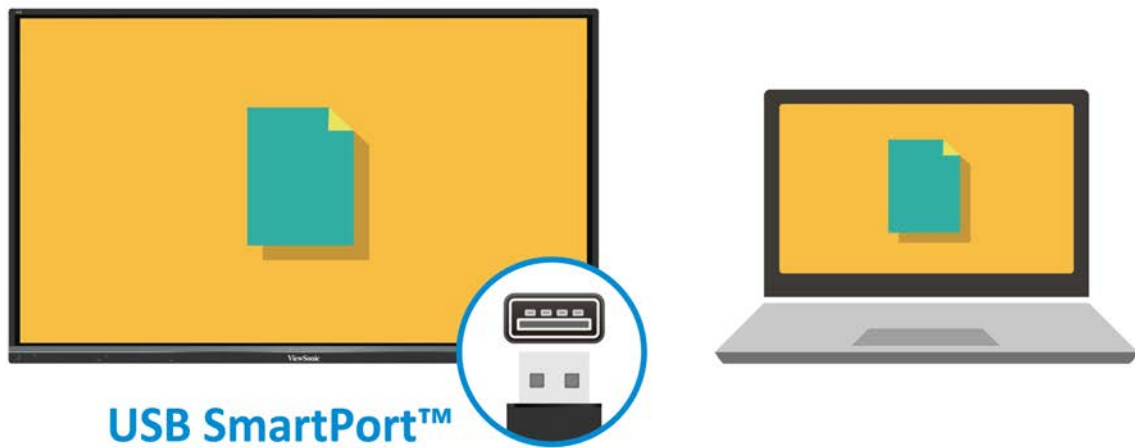
4-way Split Screen

4-way split screen content sharing with built-in ViewBoard® Cast software.



Shared USB Ports

SmartPort™ shared front USB ports for internal & external PCs.



Stereo Sound

2.1 Stereo sound with a built-in subwoofer.



Faster Internet

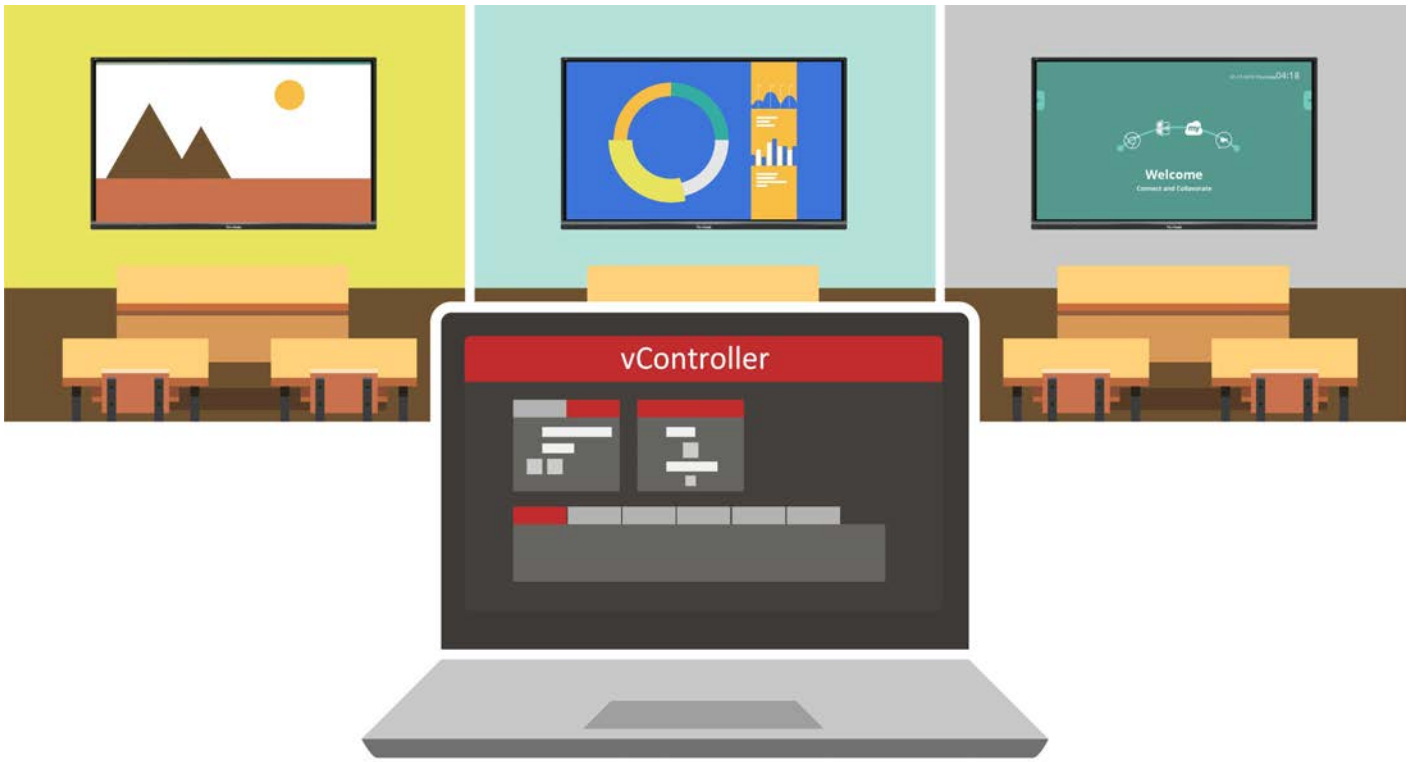
GigaLAN provides a faster, more powerful internet connection.

GigaLAN



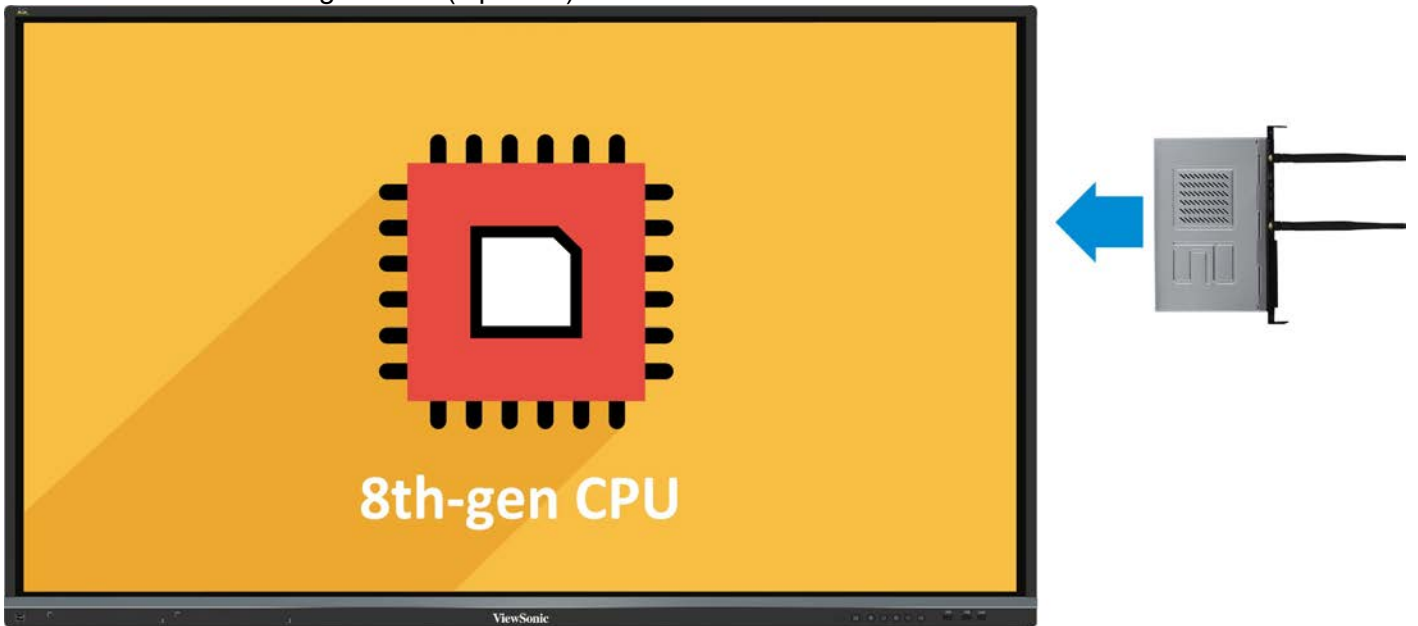
Remote Control

Built-in RS232 port and vController software for remote control.



Slot-in PC

Slot-in PC with Intel 8th-gen CPU (Optional).

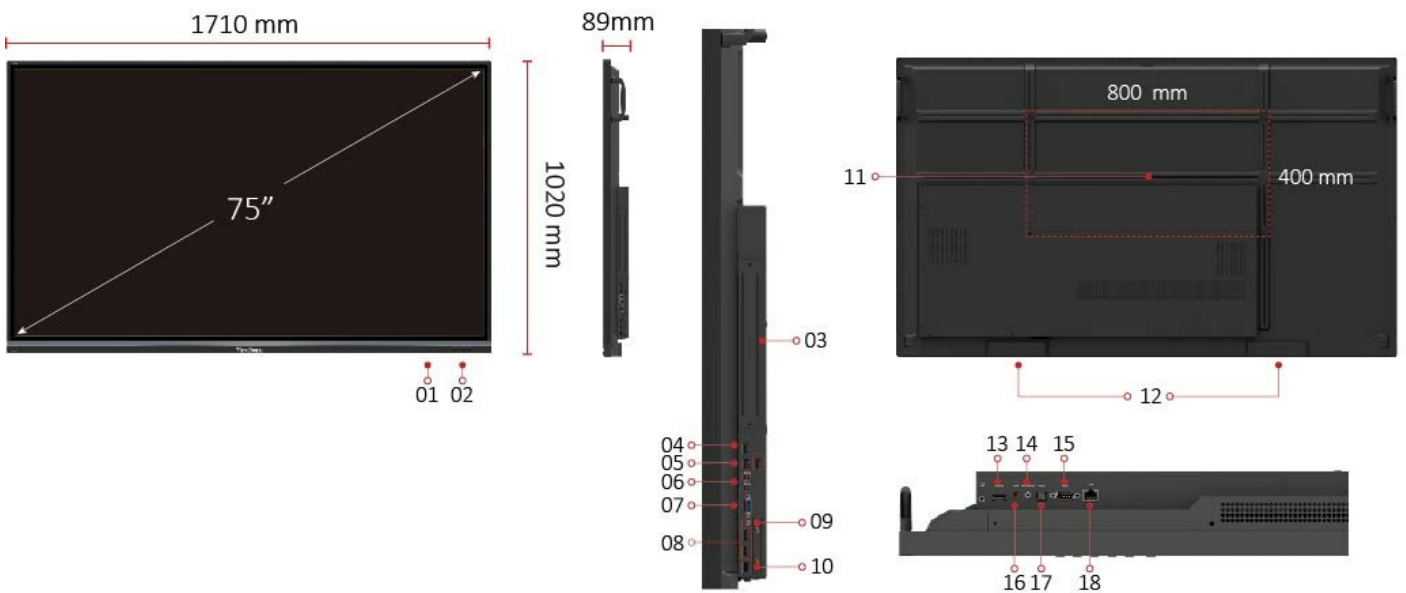


Web Camera

Top-mounted 1080p web camera (Optional).



I/O Ports



1. MENU CONTROLS
2. USB X 3
3. Intel Unite[®] Certified OPS Slot
4. HDMI OUT
5. USB 3.0
6. TOUCH X 2
7. VGA
8. HDMI IN X 2

9. AUDIO IN
10. CAMERA PORT
11. VESA® WALL Mount 800x600 mm
12. INTERNAL SPEAKERS
13. USB 2.0
14. AUDIO OUT
15. RS232
16. AV IN
17. SPDIF
18. LAN

Technical Specifications

Display	Panel Size	75"
	Type/Tech	TFT LCD Module with DLED Backlight.
	Display Area (mm)	1665.66 (H) x 944.73 (V) (74.5" diagonal)
	Aspect Ratio	16:9
	Native Resolution	UHD 3840x2160(Pixels)
	Colours	1.07B colours (10bit)
	Brightness	350 nits (typ.) 300 nits (min.)
	Contrast Ratio	1100:1 Typ.
	Response Time	8ms
	Viewing Angles	H = 178, V = 178 typ.
	Backlight Life	30,000 Hours (Min)
	Surface Treatment	Anti-Glare
	Bezel	Slim
Orientation	Landscape	
Platform	Processor	ARM Cortex A73 dual-core 1.2GHz
	RAM	2GB DDR4
	Storage	16GB
Touch	Type/ Tech	IR Recognition
	Touch Resolution	32767 x 32767
	Touch Point	20 points touch, 10 points writing
INPUT	HDMI	2.0 x3 (3840x2160 @60Hz)
	RGB / VGA	x1
	Audio	x1 (PC audio in)
	CVBS	x1
	RS232	x1
	OPS	x1 PC Slot (proprietary)
OUTPUT	HDMI	x1
	Audio	x1 (Earphone out)
	SPDIF	1(optical)
	RS232	x1
LAN	RJ45	x1
USB	Type A	USB 2.0 x4(including 2 USB port in front) USB 3.0 x2(including 1 USB port in front)
	Type B	x2, for touch
SPEAKERS	SPEAKERS	10W x 2 + 15W x 1

Camera plate on top for screw-in webcam installation	Camera plate on top for screw-in webcam installation	Yes
COMPATIBILITY	RGB PC/HDMI PC	Refer to timing table
	CVBS	480i
	HDMI	3840x2160
Embedded OS	Embedded OS	Android 7
USB SUPPORTED FILE FORMAT	USB SUPPORTED FILE FORMAT	Picture - BMP, JPEG, PNG
		Video - Codec: MPEG1, MPEG2, MPEG2-PS, MPEG4, MKV Container: MPG, MP4, MOV, VOB, DAT, MKV
		Audio - Codec: AAC, HEAAC, MPEG1, MPEG2 Container: AAC, M4A, MP3
Bundle Software	Basic Annotation Software	myViewBoard
	Pro Annotation Software	myViewBoard for windows (Embedded in Windows Slot-in PC)
	Wireless Presentation with Touch Feedback: Viewboard Cast	yes
	Zoom	Yes
	ViewSonic Launcher	Embedded
Special Features	All-in-one USB port (combine Windows/Android USB port; no need to distinguish them anymore)	Front "SmartPort USB" to all channels.
	Simple LAN sharing between IFP and slot-in device	yes
Power	Voltage	100-240VAC +/- 10% Wide Range
	Consumption	138W (Typ.) < 0.5 W ("Off")
ERGONOMICS	Wall Mount (VESA®)	800 x 400
OPERATING CONDITIONS	Temperature (° C)	0°C to 40°C
	Humidity	10% ~ 90% RH non-condensing
DIMENSIONS (W x H x D)	Physical (inch / mm)	67.3 x 40.2 x 3.5 in / 1710 x 1020 x 90 mm
	Packaging (inch / mm)	76.0 x 44.9 x 11.0 in / 1930 x 1140 x 280 mm
WEIGHT	Net (lb / kg)	117.40 lb / 53 Kg
	Gross (lb / kg)	151.35 lb / 69 Kg
REGULATIONS	REGULATIONS	FCC, cTUVus, CB, CE, BSMI, RCM, BIS, EAC
Energy Star version	Energy Star version	ES7.1
EEL rating	EEL rating	A+
PACKAGE CONTENTS	PACKAGE CONTENTS	1. Power cable(3 meters) x 4 2. Remote control 3. USB cable(5 meters) 4. AV cable 5. Touching pen x 2 6. Quick Start Guide 7. RS232 adapter 8. Clamp x 5 9. Plate 10. Screw x 8 11. HDMI cable

Compatible Slot-in PC

Compatible Slot-in PC

VPC14-WP series
VPC10-WP series
VPC15-WP series
VPC16-WP series
VPC17-WP series

www.viewsonic.com

IFP7550-2

10032019